

Installation Guide Smart-UPS[™] SMC 1000/1500/2000/3000 VA 230 Vac Rack-Mount 2U

Important Safety Messages

Read the instructions carefully and look at the equipment to become familiar with the device before trying to install, operate, service or maintain it. The following special messages may appear throughout this document or on the equipment to warn of potential hazards or to call attention to information that clarifies or simplifies a procedure.



The addition of this symbol to a Danger or Warning product safety label indicates that an electrical hazard exists that will result in personal injury if the instructions are not followed.



This is the safety alert symbol. It is used to alert you to potential personal injury hazards. Obey all safety messages that follow this symbol to avoid possible injury or death.

CAUTION

CAUTION indicates a hazardous situation which, if not avoided, could result in minor or moderate injury.

NOTICE

NOTICE is used to address practices not related to physical injury.

Safety and General Information

Inspect the package contents upon receipt. Notify the carrier and dealer if there is any damage.

- Adhere to all national and local electrical codes.
- All wiring must be performed by a qualified electrician.
- Changes and modifications to this unit not expressly approved by APC could void the warranty.
- This UPS is intended for indoor use only.
- Do not operate this unit in direct sunlight, in contact with fluids, or where there is excessive dust or humidity.
- Be sure the air vents on the UPS are not blocked. Allow adequate space for proper ventilation.
- For a UPS with a factory installed power cord, connect the UPS power cable directly to a wall outlet. Do not use surge protectors or extension cords.
- The equipment is heavy. Always practice safe lifting techniques adequate for the weight of the equipment.
- The batteries are heavy. Remove the batteries before installing the UPS and external battery packs (XLBPs), in a rack.

Battery safety

- The battery typically lasts for two to five years. Environmental factors impact battery life. Elevated ambient temperatures, poor quality utility power, and frequent short duration discharges will shorten battery life. The battery should be replaced before end of life.
- APC by Schneider Electric uses sealed lead acid batteries. Under normal use and handling, there is no contact with the internal components of the battery. Over charging, over heating or other misuse of batteries can result in a discharge of battery electrolyte. Released electrolyte is toxic and may be harmful to the skin and eyes.
- Replace the battery immediately when the UPS indicates battery replacement is necessary.
- The UPS will recognize as many as 10 external battery packs connected to the UPS.
Note: For each XLBP that is added, increased recharge time will be required.
- CAUTION: Before installing or replacing the batteries, remove jewelry such as wristwatches and rings. High short circuit current through conductive materials could cause severe burns.
- CAUTION: Do not dispose of batteries in a fire. The batteries may explode.
- CAUTION: Do not open or mutilate batteries. Released material is harmful to the skin and eyes and may be toxic.

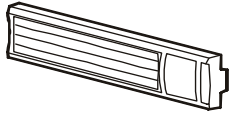
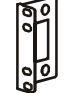
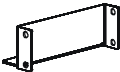





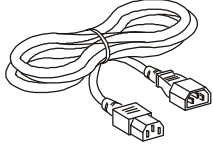
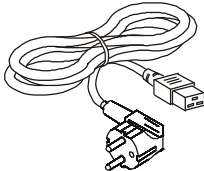
General

- The model and serial numbers are located on a small, rear panel label. For some models, an additional label is located on the chassis under the front bezel.
- Always recycle used batteries.
- Recycle the package materials or save them for reuse.

Radio Frequency Warning

This product has been tested and found to be category C2 device. This equipment generates, uses, and can radiate radio frequency energy and, if not installed and used in accordance with the instruction manual, may cause harmful interference to radio communications. Operation of this equipment is likely to cause radio interference with some communication devices like TV, mobiles, audio equipments, radio receivers, etc. Generally this issue can be corrected by moving the equipment a little away from the UPS, however sometimes additional measures may have to be taken at user's expense.

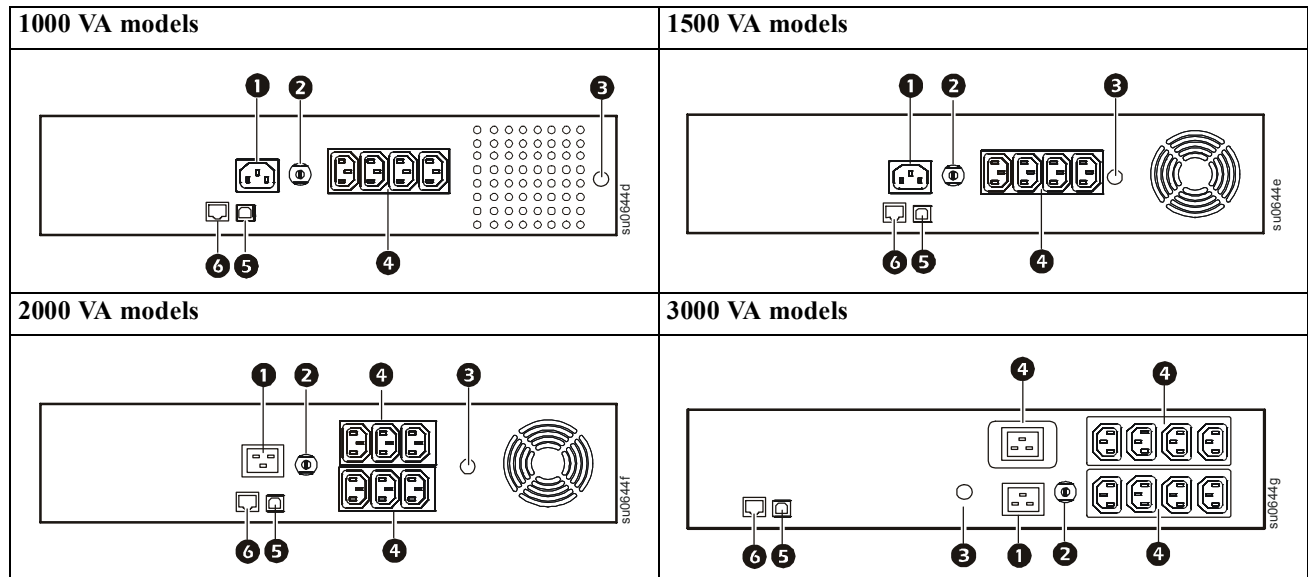
Package Contents

All models		1000 VA models	
 x1	 x2	 x2	 x4
	 x4		 x2
		 x2	 x2
1000 /1500/2000/3000 VA models		2000/3000 VA models	
 x2		 x1	

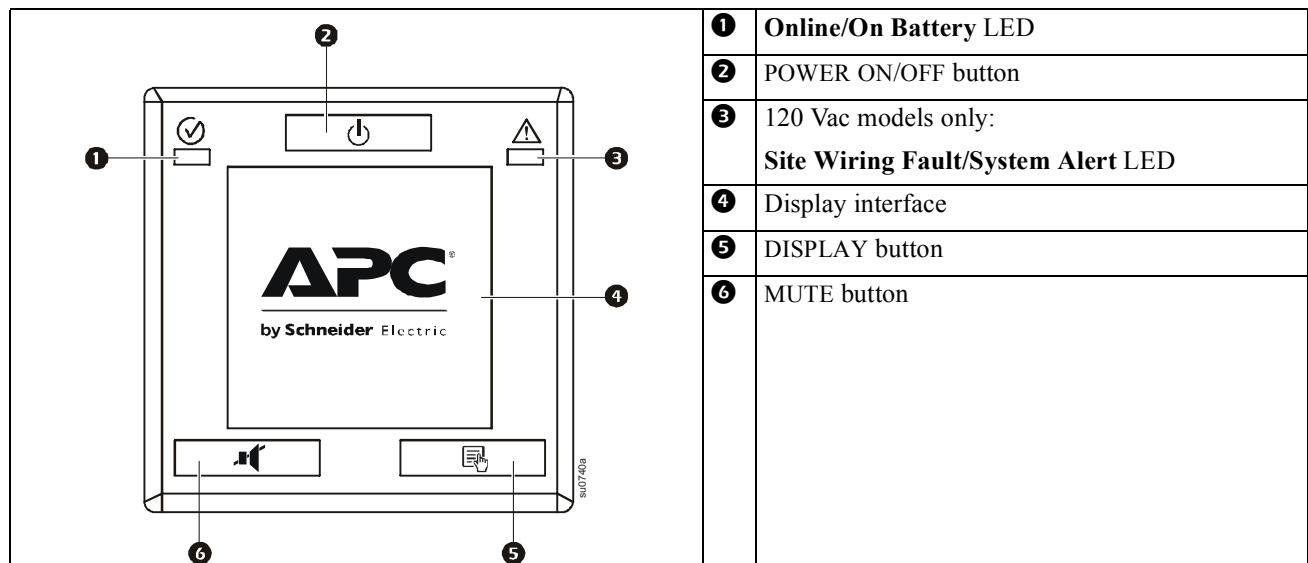
Product Overview

Rear Panel features

1	UPS input	4	Outlets
2	Circuit breaker/Overload protection	5	USB port
3	Chassis ground screw	6	Serial data port



Front panel features



Installation

⚠ CAUTION

RISK OF EQUIPMENT FALLING

- The equipment is heavy. Always practice safe lifting techniques adequate for the weight of the equipment.
- The combined weight of the UPS and the battery is heavy. Remove the battery before installing the UPS in a rack.
- When installing a UPS and XLPBs in a rack, always install external battery packs at the bottom of the rack with the UPS above the XLPBs.

Failure to follow these instructions could result in minor or moderate injury.

⚠ CAUTION

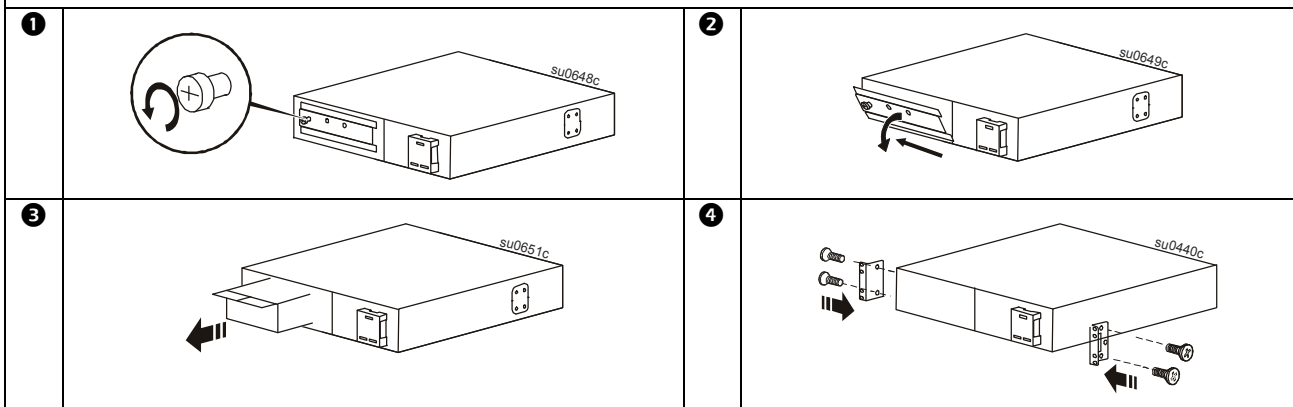
POTENTIAL RISK OF SHOCK

- Adhere to all national and local electrical codes.
- Wiring must be performed by a qualified electrician.
- Always connect the UPS to a grounded outlet.
- Always connect ground wires between the UPS and the external battery packs.
- Refer to the XLBP user manual for details.

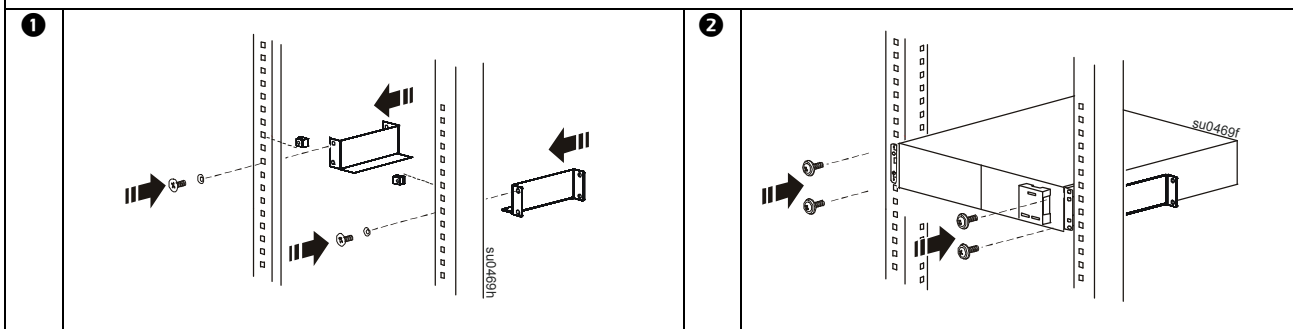
Failure to follow these instructions could result in minor or moderate injury.

1000 VA models

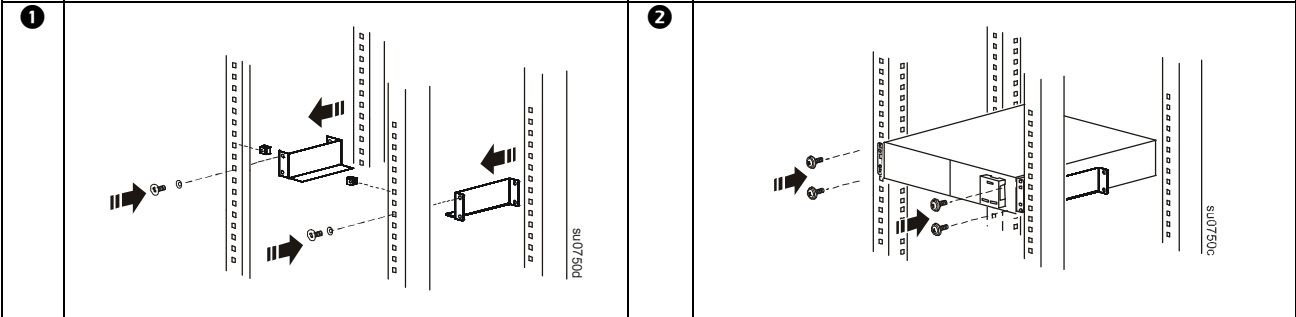
Remove the battery and install the rack-mount brackets



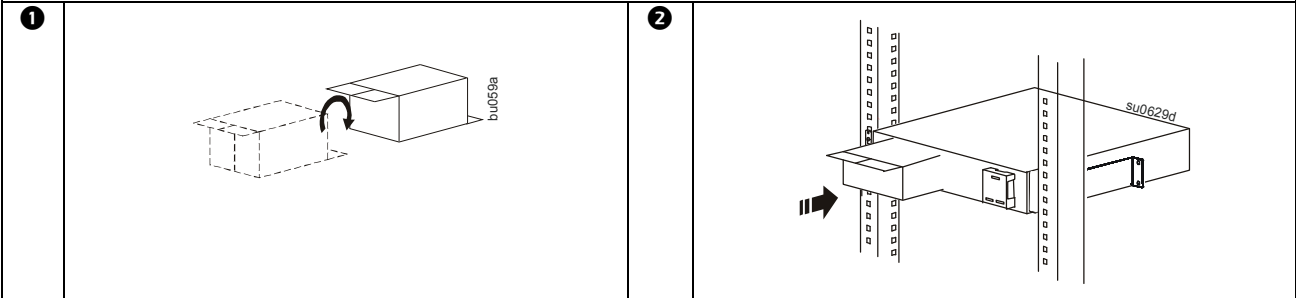
Two post rack installation



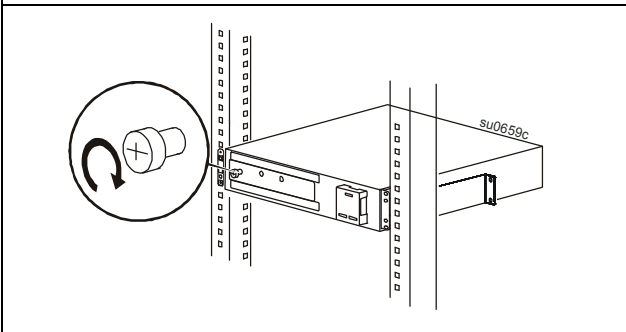
Four post rack installation



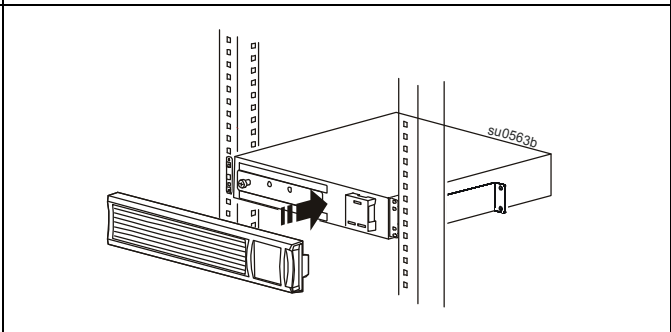
Install the battery



Secure the battery compartment door



Install the bezel



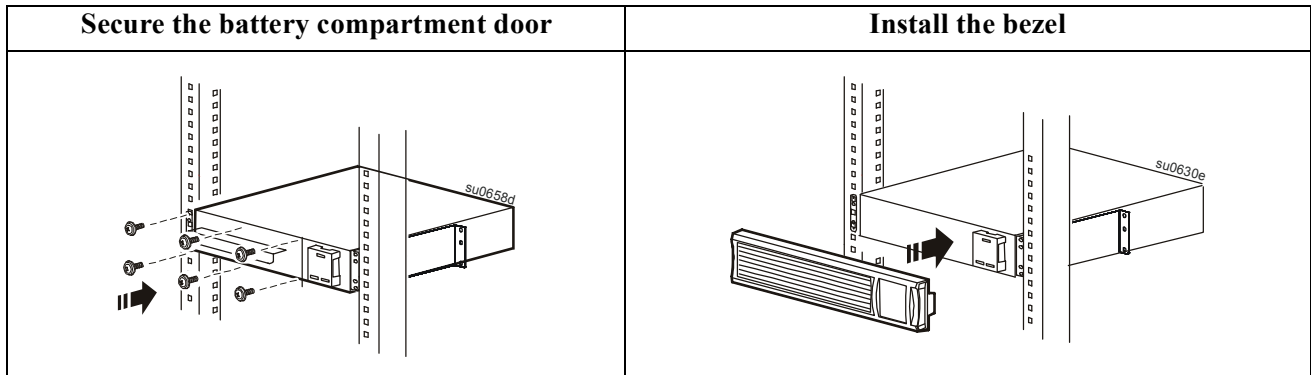
1500 VA models

Remove the battery and install the rack-mount brackets	
1	<p>Diagram 1: Removing the battery from the SU0657C model. Arrows indicate the removal of screws from the battery compartment.</p>
2	<p>Diagram 2: Removing the battery from the SU0661C model. An arrow indicates the removal of the battery cover.</p>
3	<p>Diagram 3: Installing the rack-mount bracket on the SU0440C model. Arrows show the bracket being attached to the front and back of the unit.</p>

Two post rack installation	
1	<p>Diagram 1: Mounting the SU0469i rack-mount bracket to a two-post rack. Arrows show the bracket being slid onto the posts and secured with screws.</p>
2	<p>Diagram 2: Mounting the SU0469i rack-mount bracket to a two-post rack. Arrows show the unit being inserted into the bracket and secured with screws.</p>

Four post rack installation	
1	<p>Diagram 1: Mounting the SU0750f rack-mount bracket to a four-post rack. Arrows show the bracket being slid onto the posts and secured with screws.</p>
2	<p>Diagram 2: Mounting the SU0750f rack-mount bracket to a four-post rack. Arrows show the unit being inserted into the bracket and secured with screws.</p>

Install the battery	Connect the battery
<p>Diagram: Installing the SU0629f battery into the rack-mount bracket. An arrow shows the battery being inserted into the bracket.</p>	<p>Diagram: Connecting the SU0631f battery to the unit. A circular inset shows the battery being inserted into the terminal block on the unit.</p>



Connect equipment to the UPS and connect the UPS to AC power

⚠ CAUTION

RISK OF ELECTRIC SHOCK

- Adhere to all local and national electrical codes.
- Wiring must be performed by qualified electrician.
- Always connect the UPS to a grounded outlet.

Failure to follow these instructions could result in minor or moderate injury.

