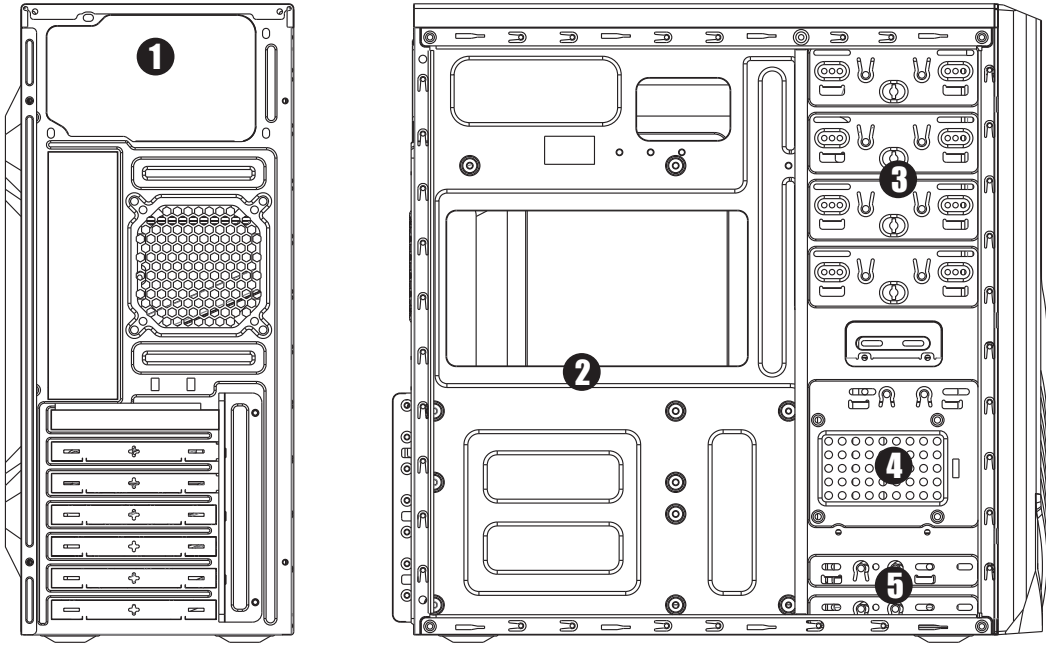


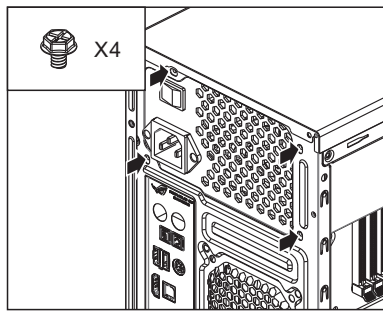
USER'S MANUAL



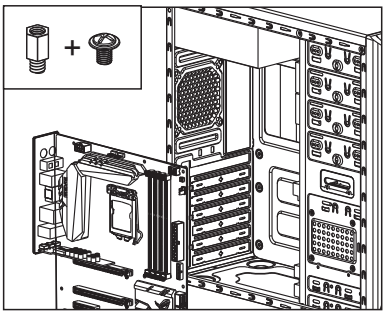
Rear View

Left View (Open)

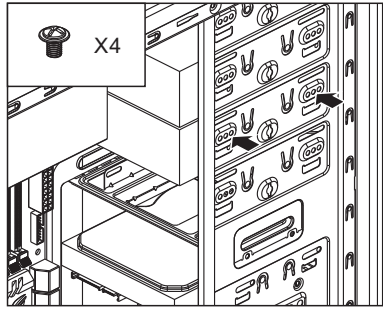
1. Install PSU



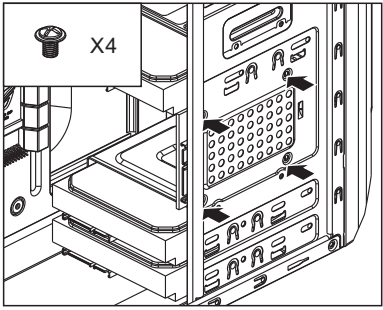
2. Install Motherboard



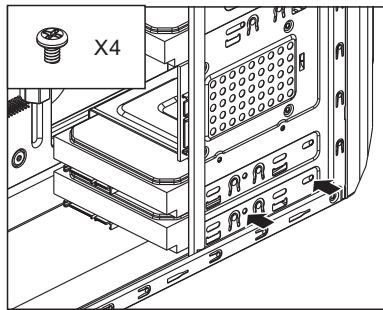
3. Install ODD



4. Install 2.5" SSD

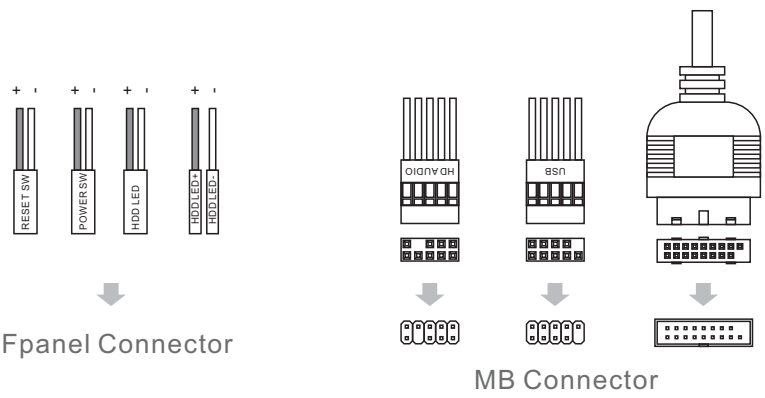


5. Install 3.5" HDD










USER'S MANUAL

Cable Connection for Front I/O



Accessory Bag Contents

-  Motherboard Standoff
-  Motherboard Screw
-  SSD Screw
-  ODD Screw
-  PSU Screw
-  PCI Screw
-  3.5" HDD Screw